

High-brightness Lighting BOX 《LLBG Series》

High-brightness lighting box

High-brightness lighting box

LLBG Series

Light output exceeding 250 W metal halide light source

LLBG1-BA
Recommended bundle diameter
Φ8 mm to 20 mm

LLBG1-SA
Recommended bundle diameter
Φ3 mm to 8 mm



Model	LLBG1-BA	LLBG1-SA
Front panel color	Blue	Orange
Outer dimensions W×D×H(mm)	145×250×145	
Recommended bundle diameter	Φ8~20mm	Φ3~8mm
Lighting system	Constant-current control	
Number of outputs	1ch	
Input power	100 VAC to 240 VAC (±10%), 50/60Hz	
Power consumption	Typ. 160 W (white)	
LED service life	Min. 30,000 hours*1	
Applicable fiber	Glass fiber	
Cooling system	Fan cooling. Front intake and rear exhaust (one internal fan and one rear fan)	
LED emission color	White, red, green, blue, and UV	
External interface	Parallel/RS-232C/LAN ports (standard equipment)	
Mass	Approx. 3.5 kg	
Environmental control	Conforming to RoHS2	

● 型式の*部:発光色 W(白) R(赤) G(緑) B(青) UV
*1 Estimated value based on range from initial light intensity to 70%
(This value is not guaranteed.)

Two types selectable in accordance with bundle diameter

RS-232C

LAN

UV

P116



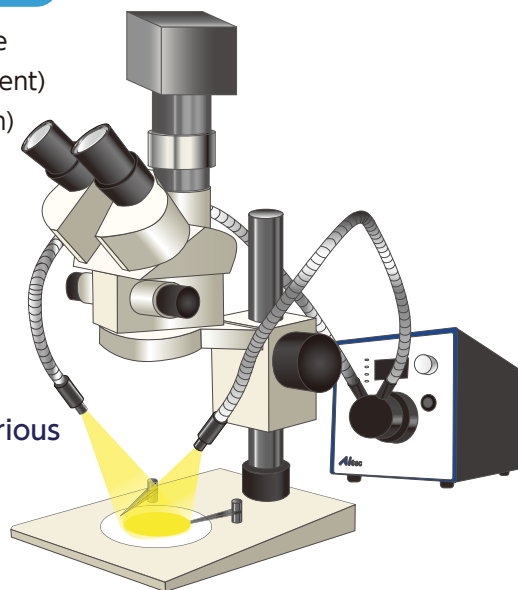
LAN

Features

- Achieving light output exceeding 250 W metal halide light source
- External interface: Parallel/RS-232C/LAN ports (standard equipment)
- Two available bundle diameters (Φ3 mm to 8 mm, Φ8 mm to 20 mm)
- Proprietary cooling mechanism ensures stable light output.
- Mounting adapter selectable according to light guide used.

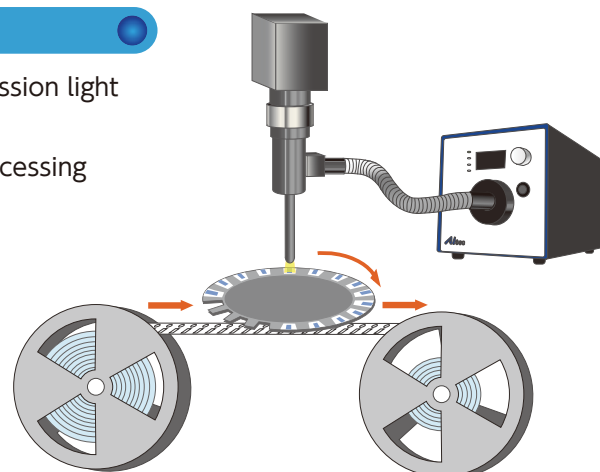


Replaceable light guide (fiber) for various observation and image taking tasks



Application example

- Light source for various light guides, light source for transmission light
- Light source for line camera, light source for area camera
- Light source for visual inspection, light source for image processing



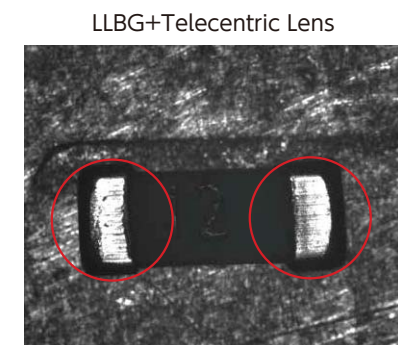
Visual inspection of chip parts

Example of imaging

- Inspection of chip capacitor contacts

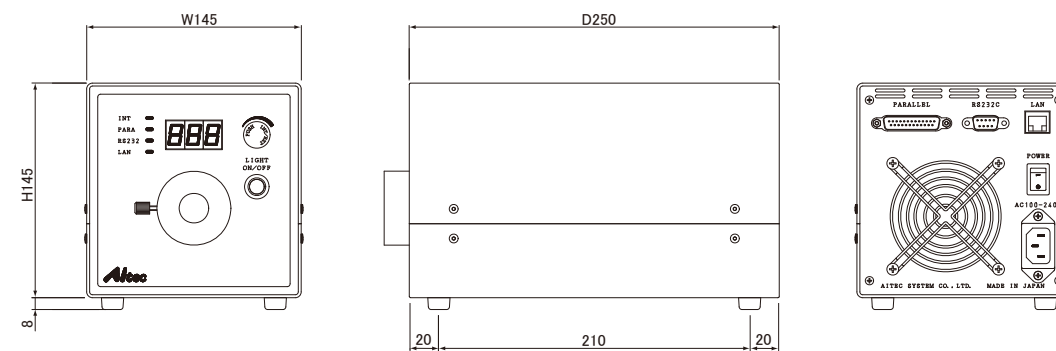


The entire contact is uniformly irradiated and its flat surface is not emphasized.



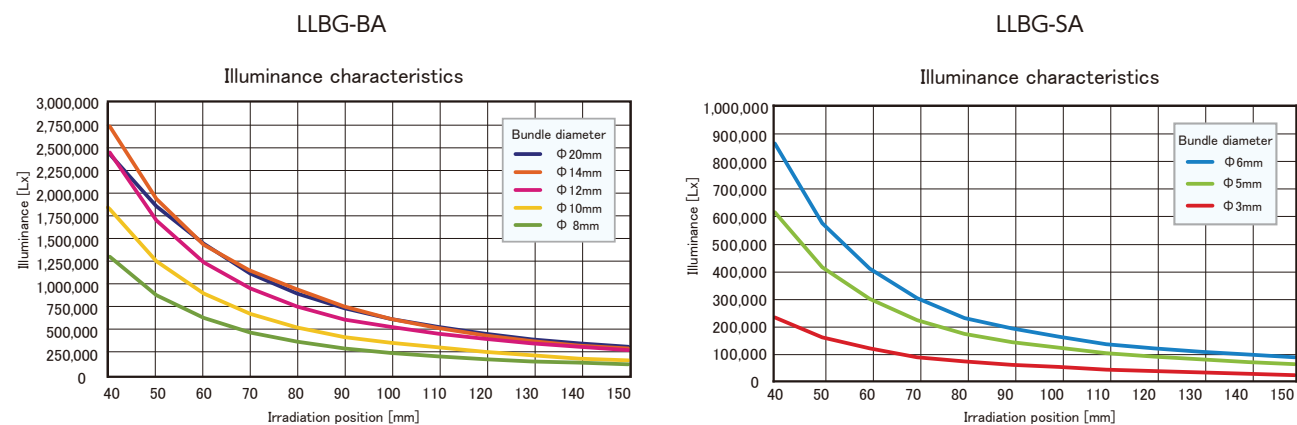
The contact's flat surface is emphasized by irradiating high-brightness light from the telecentric lens in the same axial direction as the camera.

Outer dimensions



* Product specifications are subject to change without notice.

Data (Typical example)



* Graph information (for reference only) does not guarantee product quality.